

Single Phase Inverter

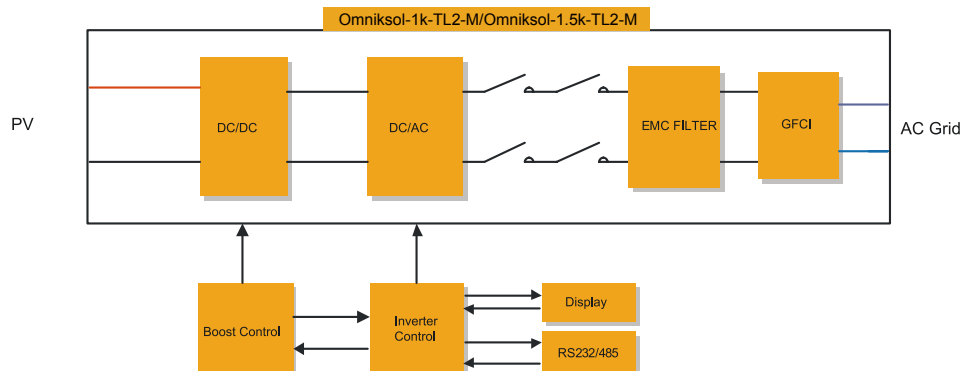
Omniksol-1k/1.5k-TL2-M



Features

- High MPPT accuracy (>99.9%)
- Wide DC input range (60-450 Vdc), compatible with different module
- Easy to wire, install and operate
- IP65 design, suitable for indoor and outdoor installation
- 10 years warranty (5 ~ 25 years optional)
- New high frequency design
Higher power quality
- Casting shell design
Beautiful and convenient installation

Block Diagram



Technical Data

Omniksol-1k/1.5k-TL2-M

Type	Omniksol-1k-TL2-M	Omniksol-1.5k-TL2-M
Input (DC)		
Max. PV Power	1.25kW	1.75kW
Max DC Voltage	500V	500V
Operating MPPT Voltage Range	60-450V	60-450V
MPPT Voltage Range at Nominal Power	155-400V	155-400V
Start up DC Voltage	70V	70V
Turn off DC Voltage	50V	50V
Max. DC Current	10A	10A
Max. Short Circuit Current for each MPPT	12A	12A
Number of MPPT trackers	1	1
Number of DC Connections for each MPPT	1	1
DC Connection Type	MC4	MC4
Output (AC)		
Max. AC Apparent Power	1000VA	1500VA
Nominal AC Power (cos phi = 1)	1000W	1500W
Nominal Grid Voltage	220V/230V/240V	220V/230V/240V
Nominal Grid Frequency	50Hz/60Hz	50Hz/60Hz
Max. AC Current	5.0A	7.5A
Grid Voltage Range*	185-276V	185-276V
Grid Frequency Range*	45-55Hz/55-65Hz	45-55Hz/55-65Hz
Power Factor	>0.99	>0.99
Total Harmonic Distortion (THD)	<3%	<3%
Feed in Starting Power	30W	30W
Night time Power Consumption	<1W	<1W
Standby Consumption	6W	6W
AC Connection Type	Plug-in connector	Plug-in connector
Efficiency		
Max. Efficiency (at 360Vdc)	96.5%	96.5%
Euro Efficiency (at 360Vdc)	95.8%	96.0%
MPPT Efficiency	99.9%	99.9%
Safety and Protection		
DC Insulation Monitoring	Yes	Yes
DC Switch	Optional	Optional
Residual Current Monitoring Unit (RCMU)	Integrated	Integrated
Grid Monitoring with Anti-islanding	Yes	Yes
Protection Class	I (According to IEC 62103)	I (According to IEC 62103)
Overvoltage Category	PV II / Mains III (According to IEC 62109-1)	PV II / Mains III (According to IEC 62109-1)
Reference Standard		
Safety Standard	ENEN 62109, AS/NZS3100	
EMC Standard	EN 61000-6-1, EN 61000-6-3, EN 61000-6-2, EN 61000-6-4, EN61000-3-2, EN61000-3-3	
Grid Standard	VDE 0126-1-1, C10/11, G83/2, UTE C15-712-1, AS4777, CQC,CEI0-21, EN50438	
Physical Structure		
Dimensions (WxHxD)	210x290x90mm	
Weight	5kg	
Environmental Protection Rating	IP65 (According to IEC 60529)	
Cooling Concept	Natural convection	
Mounting Information	Wall bracket	
General Data		
Operating Temperature Range	-25°C to +60°C(derating above 45°C)	
Relative Humidity	0% to 98%, no condensation	
Max. Altitude (above sea level)	2000m	
Noise Level	< 40dB	
Isolation Type	Transformerless	
Display	2 LED, Backlight, 16*2 Character LCD	
Data Communication Interfaces	(RS485, WIFI, GPRS optional)	
Standard Warranty	10year (5 -25 year option)	

*The AC voltage and frequency range may vary depending on specific country grid

Address: B801,Huihu Building, Moon Bay, SIP,
215123, SuZhou, China

Tel: +86-512-6956-8216

Fax: +86-512-6295-6682

E-mail: sales@omnik-solar.com

Website: <http://www.omnik-solar.com>

Products updating continues. Any data change will not be informed exclusively.
Omnik company reserves the right of final interpretation of product technical data and copyrights.



Omnik New Energy Co., Ltd.